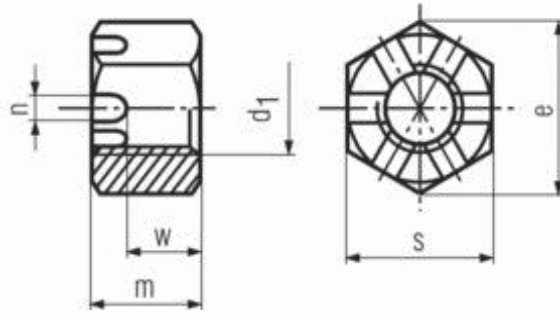


DIN 935 - Castle Nuts



All measurements in millimeters (mm)

d₁	s	e	m max.	w max.	n min.
M4	7	7.74	5	3.2	7
M5	8	8.87	6	4	8
M6	10	11.05	7.5	5	10
M8	13	14.38	9.5	6.5	13
M10	17	18.9	12	8	16
M12	19	21.1	15	10	18
M14	22	24.49	16	11	21
M16	24	26.75	19	13	24
M18	27	29.56	21	15	27
M20	30	32.95	22	16	30
M22	32	35.03	26	18	34
M24	36	39.55	27	19	36
M27	41	45.2	30	22	41
M30	46	50.85	33	24	46
M33	50	55.37	35	26	50
M36	55	60.79	38	29	55
M39	60	66.44	40	31	60
M42	65	71.3	46	34	65
M45	70	78.26	48	36	70
M48	75	82.6	50	38	75
M52	80	88.25	54	42	
M56	85	95.07	57	45	
M58	90	100.72	63	48	
M60	90	100.72	63	48	
M64	95	106.37	66	51	
M68	100	112.02	69	54	
M72	105	117.67	73	58	
M76	110	123.32	76	61	
M80	115	128.97	79	64	
M85	120	134.62	88	68	
M90	130	145.77	92	72	
M95	135	151.42	96	76	
M100	145	162.72	100	80	

FOR INFORMATION PURPOSES ONLY

©Fastener Network Holdings Ltd, Unit B, Grazebrook Industrial Park, Peartree Lane, Dudley, West Midlands, DY2
OXW, United Kingdom

T: +44 (0) 1384 217 600 F: +44 (0) 1384 217 606

www.fastenernetwork.co.uk