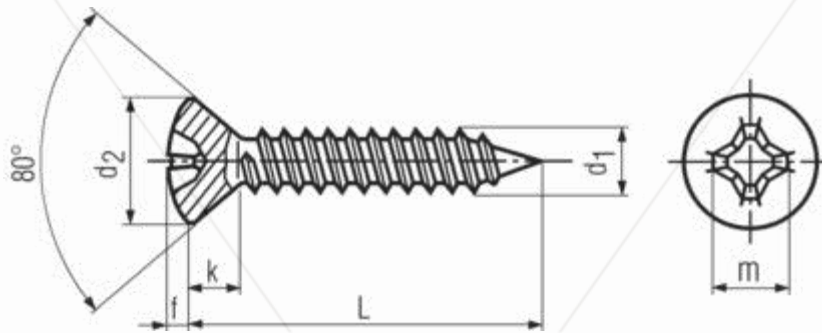


DIN 7983 - Cross Rec. Oval hd Tapping Screw, hd Angle 80



All measurements in millimeters (mm)

d_1	d_2 max.	k approx.	f approx.	m approx.	Cross Recess No.
2.2	4.3	1.3	0.7	2.8	H1
2.9	5.5	1.7	0.9	3.4	H1
3.5	6.8	2.1	1.2	4.6	H2
3.9	7.5	2.3	1.3	4.7	H2
4.2	8.1	2.5	1.4	4.9	H2
4.8	9.5	3	1.5	5.4	H2
5.5	10.8	3.4	1.7	7	H3
6.3	12.4	3.8	2	-	H3
8	15.8	4.65	-	-	-

FOR INFORMATION PURPOSES ONLY

©Fastener Network Holdings Ltd, Unit B, Grazebrook Industrial Park, Peartree Lane, Dudley, West Midlands, DY2 0XW, United Kingdom

T: +44 (0) 1384 217 600 F: +44 (0) 1384 217 606

www.fastenernetwork.co.uk