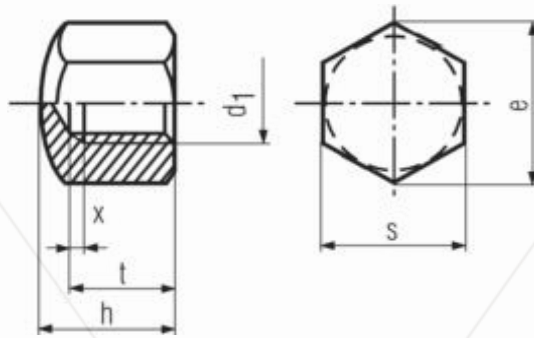


## DIN 917 - Hexagon Cup Nuts - Low Pattern



\*All measurements in millimeters (mm)\*

$d_1$	e min.	h	s	t min.	t max.	x max.
M3	6.08	5	5.5	3	3.4	0.75
M4	7.66	5.5	7	4.16	4.64	1.05
M5	8.79	7	8	4.96	5.44	1.2
M6	11.05	9	10	6.71	7.29	1.5
M8	14.38	12	13	9.21	9.79	1.87
M10	18.9	14	16	10.65	11.35	2.25
M12	21.1	16	18	13.15	13.85	
M16	26.75	20	24	16.65	17.35	
M20	32.95	25	30	20.58	21.42	
M24	39.55	30	36	23.58	24.42	

FOR INFORMATION PURPOSES ONLY

©Fastener Network Holdings Ltd, Unit B, Grazebrook Industrial Park, Peartree Lane, Dudley, West Midlands, DY2 0XW, United Kingdom

T: +44 (0) 1384 217 600 F: +44 (0) 1384 217 606

[www.fastenernetwork.co.uk](http://www.fastenernetwork.co.uk)