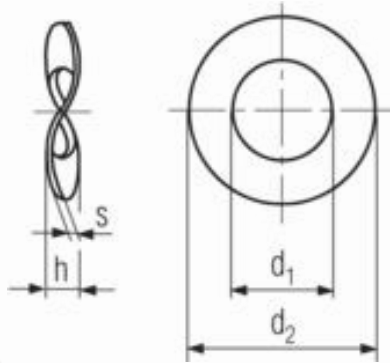


DIN 137B- Spring Washer, Waved Specifications



All measurements in millimeters (mm)

d_1	used for	d_2	s
3.2	M3	8	0.5
3.7	M3.5	8	0.5
4.3	M4	9	0.5
5.3	M5	11	0.5
6.4	M6	12	0.5
7.4	M7	14	0.8
8.4	M8	15	0.8
10.5	M10	21	1
13	M12	24	1.2
15	M14	28	1.6
17	M16	30	1.6
19	M18	34	1.6
21	M20	36	1.6
23	M22	40	1.8
25	M24	44	1.8
28	M27	50	2
31	M30	56	2.2
34	M33	60	2.2
37	M36	68	2.5

FOR INFORMATION PURPOSES ONLY

©Fastener Network Holdings Ltd, Unit B, Grazebrook Industrial Park, Peartree Lane, Dudley, West Midlands, DY2 0XW, United Kingdom

T: +44 (0) 1384 217 600 F: +44 (0) 1384 217 606

www.fastenernetwork.co.uk