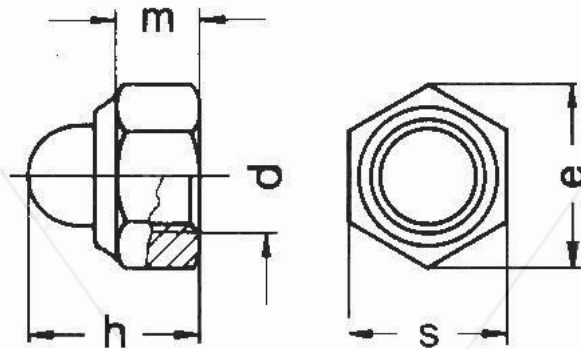


DIN 986 - Self Locking Domed Cap Nuts With Nylon Insert



All measurements in millimeters (mm)

d	s	e	m	h
M4	7	7.66	2.9	9.6
M5	8	8.79	4.4	10.5
M6	10	11.05	4.9	12
M8	13	14.38	6.44	14
M10	17	18.9	8.04	18.1
M12	19	21.1	10.37	22.5
M16	24	26.75	14.1	27.5
M20	30	32.95	16.9	35

FOR INFORMATION PURPOSES ONLY

©Fastener Network Holdings Ltd, Unit B, Grazebrook Industrial Park, Peartree Lane, Dudley, West Midlands, DY2 0XW, United Kingdom

T: +44 (0) 1384 217 600 F: +44 (0) 1384 217 606

www.fastenernetwork.co.uk