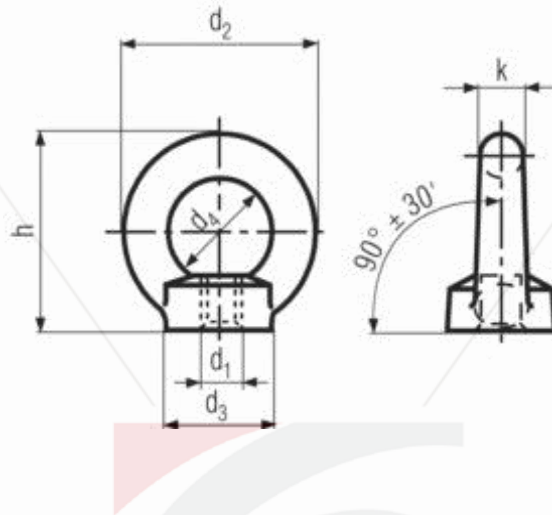


DIN 582 - Lifting Eye Nuts



All measurements in millimeters (mm)

	d₁	d₂	d₃	d₄	h	k
M6		28	16	17	36	
M8		36	20	20	36	8
M10		45	25	25	45	10
M12		54	30	30	53	12
M14		54	30	30	53	12
M16		63	35	35	62	14
M20		72	40	40	71	16
M24		90	50	50	90	20
M27		90	50	50	90	20
M30		108	65	60	109	24
M36		126	75	70	128	28
M42		144	85	80	147	32
M48		166	100	90	168	38
M56		184	110	100	187	42
M64		206	120	110	208	48

FOR INFORMATION PURPOSES ONLY

©Fastener Network Holdings Ltd, Unit B, Grazebrook Industrial Park, Peartree Lane, Dudley, West Midlands, DY2 0XW, United Kingdom

T: +44 (0) 1384 217 600 F: +44 (0) 1384 217 606

www.fastenernetwork.co.uk