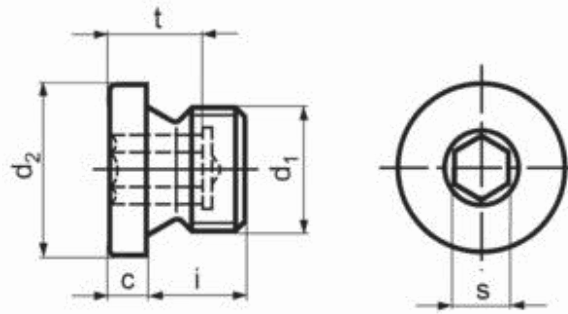


DIN 908 - Hexagon Socket Screw Plugs



All measurements in millimeters (mm)

d ₁	d ₂	s	c	i	l approx	t min
M10 x 1	14	5	3	8	11	5
M12 x 1.5	17	6	3	12	15	7
M14 x 1.5	19	6	3	12	15	7
M16 x 1.5	21	8	3	12	15	7.5
M18 x 1.5	23	8	4	12	16	7.5
M20 x 1.5	25	10	4	14	18	7.5
M22 x 1.5	27	10	4	14	18	7.5
M24 x 1.5	29	12	4	14	18	7.5
M26 x 1.5	31	12	4	16	20	9
M27 x 2	32	12	4	16	20	9
M30 x 1.5	36	17	4	16	20	9
M33 x 2	39	17	5	16	21	9
M36 x 1.5	42	19	5	16	21	10.5
M38 x 1.5	44	19	5	16	21	10.5
M42 x 1.5	49	22	5	16	21	10.5
M45 x 1.5	52	22	5	16	21	10.5
M48 x 1.5	55	24	5	16	21	10.5
M52 x 1.5	60	24	5	16	21	10.5
M56 x 2	64	32	5	20	25	14
M64 x 2	72	32	5	20	25	14

FOR INFORMATION PURPOSES ONLY

©Fastener Network Holdings Ltd, Unit B, Grazebrook Industrial Park, Peartree Lane, Dudley, West Midlands, DY2 0XW, United Kingdom

T: +44 (0) 1384 217 600 F: +44 (0) 1384 217 606

www.fastenernetwork.co.uk