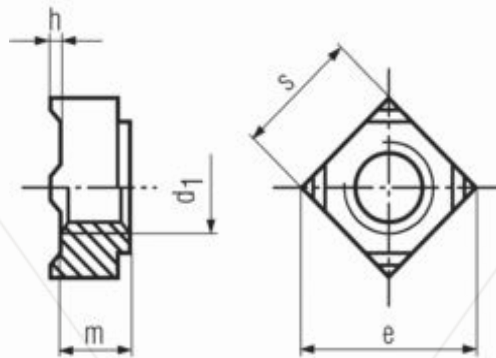


DIN 928 - Square Weld Nuts



All measurements in millimeters (mm)

d ₁	e min.	h ±0.1	m h14	s h14	Sheet Thickness		Proof Load N
					min.	max.	
M4	9	0.6	3.5	7	0.75	3	6800
M5	12	0.8	4.2	9	0.88	3.5	11000
M6	13	0.8	5	10	0.88	4	15500
M8	18	1	6.5	14	1	4.5	28300
M10	22	1.2	8	17	1.25	5	44800
M12	25	1.4	9.5	19	1.5	5	65300

FOR INFORMATION PURPOSES ONLY

©Fastener Network Holdings Ltd, Unit B, Grazebrook Industrial Park, Peartree Lane, Dudley, West Midlands, DY2 0XW, United Kingdom

T: +44 (0) 1384 217 600 F: +44 (0) 1384 217 606

www.fastenernetwork.co.uk