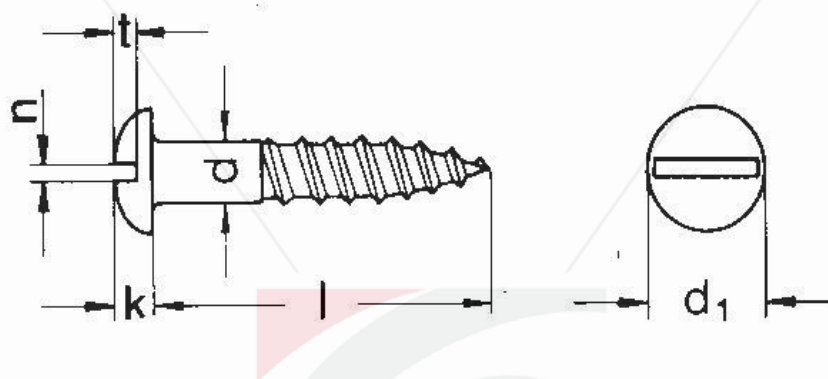


DIN 96 - Slotted Round Head Wood Screws Specifications



All measurements in millimeters (mm)

d	d ₁	k	n	t max.
M2	4	1.4	0.5	0.9
M2.5	5	1.7	0.6	1.1
M3	6	2.1	0.8	1.35
M3.5	7	2.4	0.8	1.6
M4	8	2.8	1	1.8
M4.5	9	3.1	1	2
M5	10	3.5	1.2	2.3
M5.5	11	3.8	1.2	2.5
M6	12	4.2	1.6	2.7
M7	14	4.9	2	3.2
M8	16	5.6	2	3.6

FOR INFORMATION PURPOSES ONLY

©Fastener Network Holdings Ltd, Unit B, Grazebrook Industrial Park, Peartree Lane, Dudley, West Midlands, DY2 0XW, United Kingdom

T: +44 (0) 1384 217 600 F: +44 (0) 1384 217 606

www.fastenernetwork.co.uk