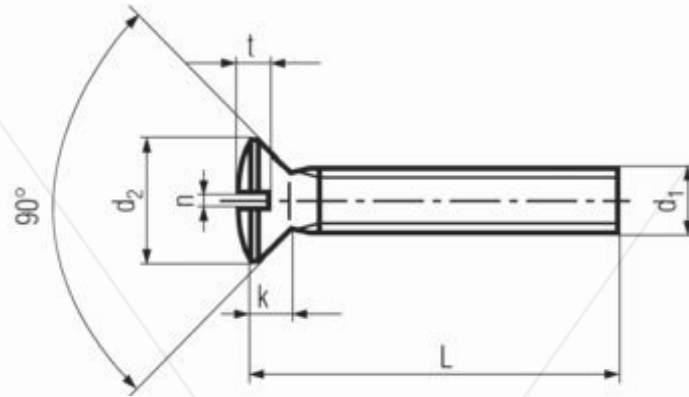


## DIN 964 - Slotted Raised Countersunk Head Machine Screws



\*All measurements in millimeters (mm)\*

| $d_1$ | $d_2$ | k max. | n   | t min. | Proof Load N |
|-------|-------|--------|-----|--------|--------------|
| M2    | 3.8   | 1.2    | 0.5 | 0.8    | 600          |
| M2.5  | 4.7   | 1.5    | 0.6 | 1      | 990          |
| M3    | 5.6   | 1.65   | 0.8 | 1.2    | 1560         |
| M3.5  | 6.5   | 1.93   | 0.8 | 1.4    | 2100         |
| M4    | 7.5   | 2.2    | 1   | 1.6    | 2720         |
| M5    | 9.2   | 2.5    | 1.2 | 2      | 4400         |
| M6    | 11    | 3      | 1.6 | 2.4    | 6230         |
| M8    | 14.5  | 4      | 2   | 3.2    | 11400        |
| M10   | 18    | 5      | 2.5 | 4      | 18000        |

FOR INFORMATION PURPOSES ONLY

©Fastener Network Holdings Ltd, Unit B, Grazebrook Industrial Park, Peartree Lane, Dudley, West Midlands, DY2 0XW, United Kingdom

T: +44 (0) 1384 217 600 F: +44 (0) 1384 217 606

[www.fastenernetwork.co.uk](http://www.fastenernetwork.co.uk)