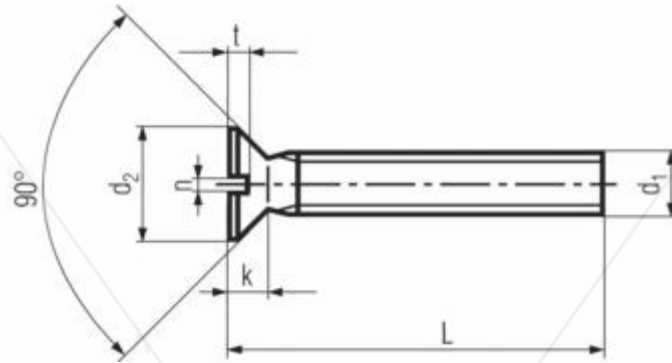


DIN 963 - Slotted Countersunk Head Machine Screws



All measurements in millimeters (mm)

d₁	d₂	k max.	n	t min.	Proof Load N
M1.6	3	0.96	0.4	0.32	370
M2	3.8	1.2	0.5	0.4	600
M2.3	4.5	1.3	0.6	0.4	850
M2.5	4.7	1.5	0.6	0.5	990
M2.6	5	1.5	0.6	0.5	1250
M3	5.6	1.65	0.8	0.6	1560
M3.5	6.5	1.93	0.8	0.7	2100
M4	7.5	2.2	1	0.8	2720
M5	9.2	2.5	1.2	1	4400
M6	11	3	1.6	1.2	6230
M8	14.5	4	2	1.6	11400
M10	18	5	2.5	2	18000
M12	22	6	3	2.4	26100
M16	29	8	4	3.2	48700

FOR INFORMATION PURPOSES ONLY

©Fastener Network Holdings Ltd, Unit B, Grazebrook Industrial Park, Peartree Lane, Dudley, West Midlands, DY2 0XW, United Kingdom

T: +44 (0) 1384 217 600 F: +44 (0) 1384 217 606

www.fastenernetwork.co.uk