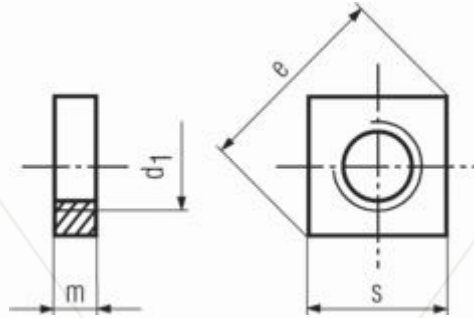


DIN 562 - Square Thin Nuts



All measurements in millimeters (mm)

d_1	s	e	m
M3	5.5	7	1.8
M4	7	8.9	2.2
M5	8	10.2	2.7
M6	10	12.7	3.2
M8	13	16.5	4
M10	17	21.5	5

FOR INFORMATION PURPOSES ONLY

©Fastener Network Holdings Ltd, Unit B, Grazebrook Industrial Park, Peartree Lane, Dudley, West Midlands, DY2 0XW, United Kingdom

T: +44 (0) 1384 217 600 F: +44 (0) 1384 217 606

www.fastenernetwork.co.uk