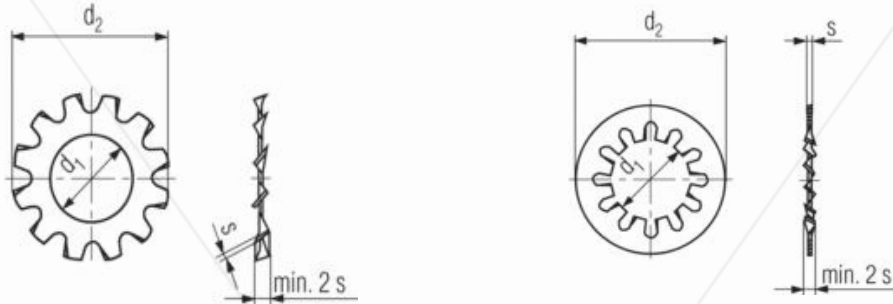


DIN 6797 – Internal/External Tooth Lock Washers



Form A
(External)

Form J
(Internal)

All measurements in millimeters (mm)

d_1	used for	d_2	s
2.8	M2.5	5.5	0.4
3.2	M3	6	0.4
3.7	M3.5	7	0.5
4.3	M4	8	0.5
5.1	M5	9	0.5
5.3	M5	10	0.6
6.4	M6	11	0.7
8.2	M8	14	0.8
8.4	M8	15	0.8
10.5	M10	18	0.9
13	M12	20.5	1
15	M14	24	1
17	M16	26	1.2
21	M20	33	1.4

FOR INFORMATION PURPOSES ONLY

©Fastener Network Holdings Ltd, Unit B, Grazebrook Industrial Park, Peartree Lane, Dudley, West Midlands, DY2 0XW, United Kingdom

T: +44 (0) 1384 217 600 F: +44 (0) 1384 217 606

www.fastenernetwork.co.uk