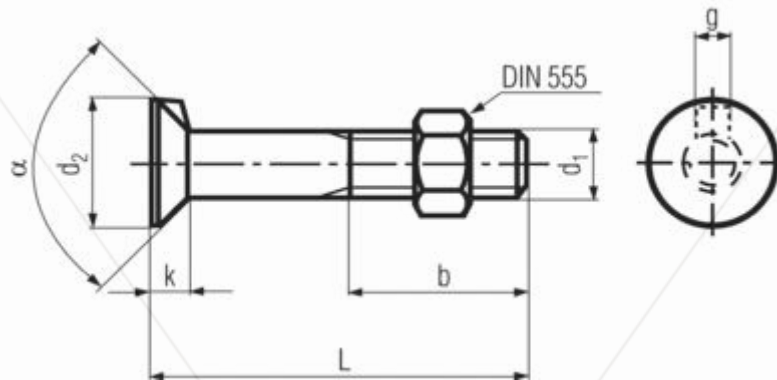


DIN 604 - Flat Countersunk Nip Bolts With Hex Nuts



All measurements in millimeters (mm)

d_1	d_2	k	a	b
M8	16	5	90°	22
M10	19	5.5	90°	26
M12	24	7	90°	30
M16	32	9	90°	38
M20	32	11.5	60°	46
M24	38.8	13	60°	54

FOR INFORMATION PURPOSES ONLY

©Fastener Network Holdings Ltd, Unit B, Grazebrook Industrial Park, Peartree Lane, Dudley, West Midlands, DY2 0XW, United Kingdom

T: +44 (0) 1384 217 600 F: +44 (0) 1384 217 606

www.fastenernetwork.co.uk