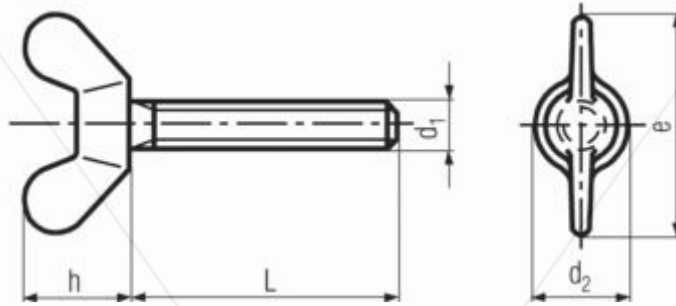


DIN 316 - Wing Screws Specifications



All measurements in millimeters (mm)

d	h	e	d ₂
M4	8.5	18	6
M5	11	24	8
M6	15	30	10
M8	18	36	13
M10	23	48	17
M12	31	62	20
M16	35	70	26

FOR INFORMATION PURPOSES ONLY

©Fastener Network Holdings Ltd, Unit B, Grazebrook Industrial Park, Peartree Lane, Dudley, West Midlands, DY2 0XW, United Kingdom

T: +44 (0) 1384 217 600 F: +44 (0) 1384 217 606

www.fastenernetwork.co.uk