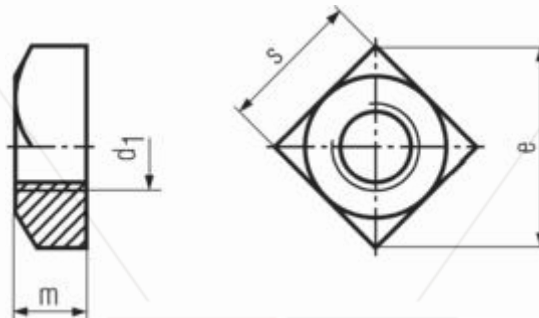


DIN 557 - Square Nuts Specifications Brass Copper Stainless Steel



All measurements in millimeters (mm)

d_1	s	e	m
M5	8	11.3	4
M6	10	14.1	5
M8	13	18.4	6.5
M10	16	22.6	8
M12	18	25.4	10
M16	24	33.9	13

FOR INFORMATION PURPOSES ONLY

©Fastener Network Holdings Ltd, Unit B, Grazebrook Industrial Park, Peartree Lane, Dudley, West Midlands, DY2 0XW, United Kingdom

T: +44 (0) 1384 217 600 F: +44 (0) 1384 217 606

www.fastenernetwork.co.uk