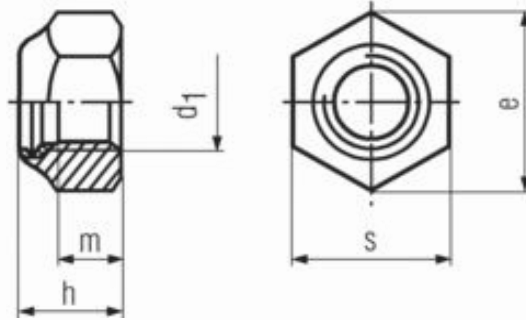


## DIN 985 - Nylon Insert Self-locking Nuts TypeT



\*All measurements in millimeters (mm)\*

<b>d<sub>1</sub></b>	<b>e min.</b>	<b>h max.</b>	<b>m</b>	<b>s</b>
M2	4.91	2.5	1.6	4.5
M2.5	5.51	3.8	2	5
M2.6	5.51	3.8	2	5
M3	6.01	4	2.4	5.5
M3.5	6.64	4.5	2.6	6
M4	7.66	5	2.9	7
M5	8.79	5	3.2	8
M6	11.05	6	4	10
M7	12.12	7.5	4.7	11
M8	14.38	8	5.5	13
M10	18.9	10	6.5	16
M12	21.1	12	8	18
M14	24.49	14	9.5	21
M16	26.75	16	10.5	24
M18	29.56	18.5	13	27
M20	32.95	20	14	30
M22	35.03	22	15	34
M24	39.55	24	15	36
M27	45.2	27	17	41
M30	50.85	30	19	46
M33	55.37	33	22	50
M36	60.79	36	25	55
M39	66.44	39	27	60
M42	72.09	42	29	65
M45	76.95	45	32	70
M48	82.6	48	36	75

FOR INFORMATION PURPOSES ONLY

©Fastener Network Holdings Ltd, Unit B, Grazebrook Industrial Park, Peartree Lane, Dudley, West Midlands, DY2 0XW, United Kingdom

T: +44 (0) 1384 217 600 F: +44 (0) 1384 217 606

[www.fastenernetwork.co.uk](http://www.fastenernetwork.co.uk)