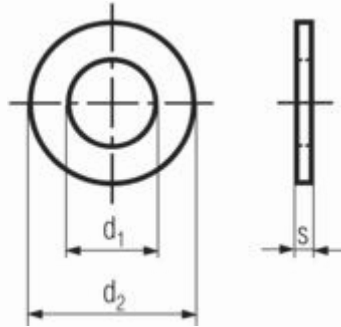


DIN 433 - Flat Washer With Reduced O.D.



All measurements in millimeters (mm)

d_1	used for	d_2	s
1.9	M1.8	4	0.3
2.2	M2	4.5	0.3
2.7	M2.5	5	0.5
3.2	M3	6	0.5
3.7	M3.5	7	0.5
4.3	M4	8	0.5
5.3	M5	9	1
6.4	M6	11	1.6
8.4	M8	15	1.6
10.5	M10	18	1.6
13	M12	20	2
15	M14	24	2.5
17	M16	28	2.5
19	M18	30	2.5
21	M20	34	3

FOR INFORMATION PURPOSES ONLY

©Fastener Network Holdings Ltd, Unit B, Grazebrook Industrial Park, Peartree Lane, Dudley, West Midlands, DY2 0XW, United Kingdom

T: +44 (0) 1384 217 600 F: +44 (0) 1384 217 606

www.fastenernetwork.co.uk