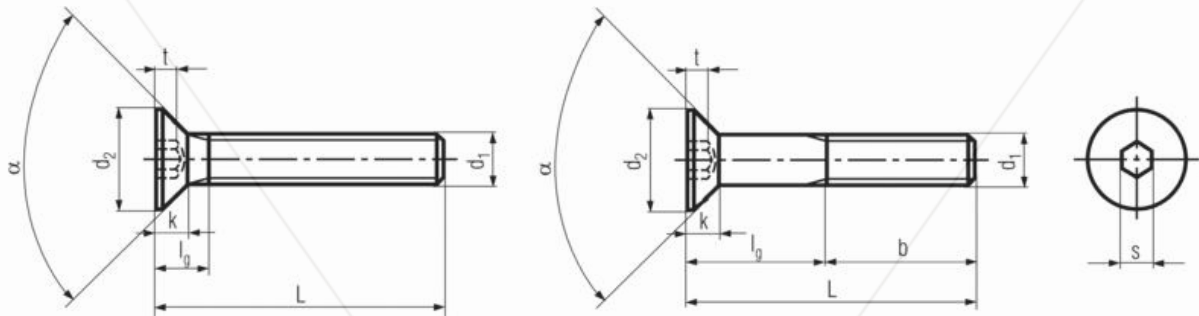


## DIN 7991 - Flat Socket Head Cap Screws



\*All measurements in millimeters (mm)\*

<b>d<sub>1</sub></b>	<b>b</b>	<b>t</b>	<b>s</b>	<b>k max</b>	<b>d<sub>2</sub></b>
M3	12	1.2	2	1.7	6
M4	14	1.8	2.5	2.3	8
M5	16	2.3	3	2.8	10
M6	18	2.5	4	3.3	12
M8	22	3.5	5	4.4	16
M10	26	4.4	6	5.5	20
M12	30	4.6	8	6.5	24
M16	38	5.3	10	7.5	30
M20	46	5.9	12	8.5	36
M24	54	10.3	14	14	39

FOR INFORMATION PURPOSES ONLY

©Fastener Network Holdings Ltd, Unit B, Grazebrook Industrial Park, Peartree Lane, Dudley, West Midlands, DY2 0XW, United Kingdom

T: +44 (0) 1384 217 600 F: +44 (0) 1384 217 606

[www.fastenernetwork.co.uk](http://www.fastenernetwork.co.uk)